

# Adverto

CHANGE THE WAY YOU REFUEL



## Entrance Display

Model

Class

**AOMED**

**55"**



### Key Features

- Built for 24hr 7-day use
- IP65 Rating
- Industrial Grade LCD
- Sulight Readable
- Anti-Vandal Protection
- Air-Looping System
- Auto Brightness Control
- Wide Viewing Angles
- Full Metal Enclosure

## Model : AOMED55

|              |                                       |                      |
|--------------|---------------------------------------|----------------------|
| Panel        | Screen Size (Diagonal)                | 55"                  |
|              | Active Display Area (inch/mm)         | 1209.60mm x 680.40mm |
|              | Resolution                            | 1920 X 1080          |
|              | Aspect Ratio                          | 16:9                 |
|              | Display Colors                        | 16.7M                |
|              | Brightness (cd/m <sup>2</sup> ; typ.) | 2500                 |
|              | Contrast Ratio                        | 5000:1               |
|              | Response Time (ms; GTG)               | 6ms                  |
|              | Viewing Angle                         | 178°/178°            |
|              | Lifetime (hours)                      | 50,000               |
| Touch Screen | Backlight type                        | LED                  |
|              | Response Time (ms)                    | N/A                  |
|              | Interface                             | N/A                  |
|              | Touch Intensity                       | N/A                  |
| Screen Input | Detection Method                      | N/A                  |
|              | VGA (15pin D-Sub)                     | 1                    |
|              | HDMI                                  | 3                    |
|              | DVI                                   | 1                    |
| Power        | RS-232                                | 1                    |
|              | Operating Voltage                     | 100 - 240v AC        |
|              | Consumption (typ.)                    | 520w                 |
|              | Consumption per nits (max.)           | 0.26w                |
| Features     | Heater Block (with PC Case)           | 850W/Peak 1.2KW      |
|              | Auto Cooling System                   | Yes                  |
|              | Auto Heating System                   | Yes                  |
|              | Anti-Vandal Glass                     | Yes                  |
|              | Anti Reflection Coating               | Yes                  |
| Operation    | Auto Brightness Sensor                | Yes                  |
|              | Temperature (°c)                      | -30 ~ 50             |
|              | Humidity (%)                          | 20 - 80              |
|              | Storage (°c)                          | -40 ~ 60             |
|              | OSD Language                          | 10 Lang              |

|                                 |                         |
|---------------------------------|-------------------------|
| Approvals - Ingress Protection  | IP65                    |
| Dimensions (w x h x d)(inch/mm) | 1334 x 820 x 210        |
| Weight (lb/kg)                  | ~ 120kg (without stand) |
| Mounting                        | 400 x 400mm (M6)        |

|                         |   |
|-------------------------|---|
| Computer                | AOM-CT  |
| CPU                     | Intel® Atom™ x5-Z8350 Processor<br>(2M Cache, 1.44 GHz up to 1.92 GHz) CPU with<br>64 bit architecture; Quad Core                           |
| Memory                  | 2GB / 4GB DDR3L-1600  |
| Graphics                | Intel® HD 400 Graphics<br>12 EU GEN 8, up to 500MHz Support DX*11.1/12,<br>Open GL*4.2, Open CL*1.2 OGL ES3.0,<br>H.264, HEVC (decode), VP8 |
| Peripheral Connectivity | 1x USB3.0, 1x USB2.0<br>1x 10 pin General Purpose bus,<br>1x EPORT Connector  |
| Storage                 | 32GB mSATA  |
| Networking              | 2x Ethernet 100/1000, Wireless 802.11 b/g/n/AC 2.4Ghz   |

### High Brightness & Contrast

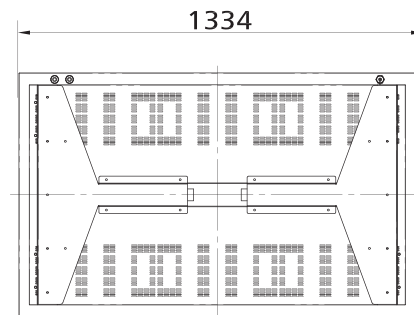
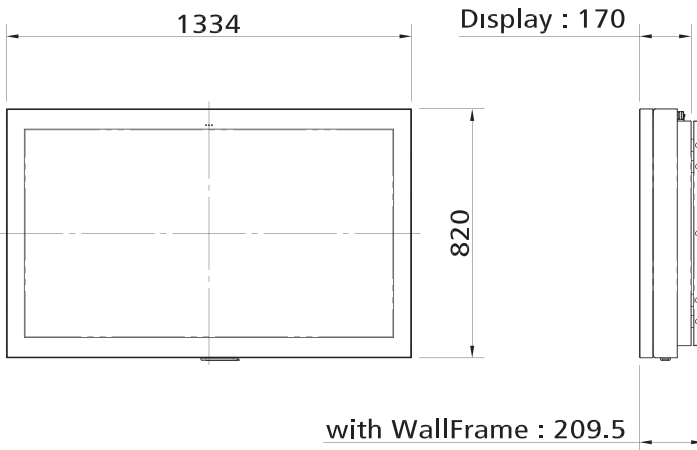
Achieving a brightness up to 2,500 cd/m<sup>2</sup> and working with a smart dynamic contrast technology, the special Out-Of-Home panels ensure bright and sharp pictures with a facsimile depth, even in bright enlightened environments.

With Auto Brightness control makes sure that the panel is at the right brightness any time of the day or night.

### Anti-Vandal Protection

Thanks to a special tempered security glass. Adverto Outdoor Displays are protected against any vandalism attacks using Anti-Vandal glass bonding technique improving in durability from outside damage.

### Dimensions



Phone +61 3 9708 2288 | Email sales@adverto.com.au

Website www.adverto.com.au

